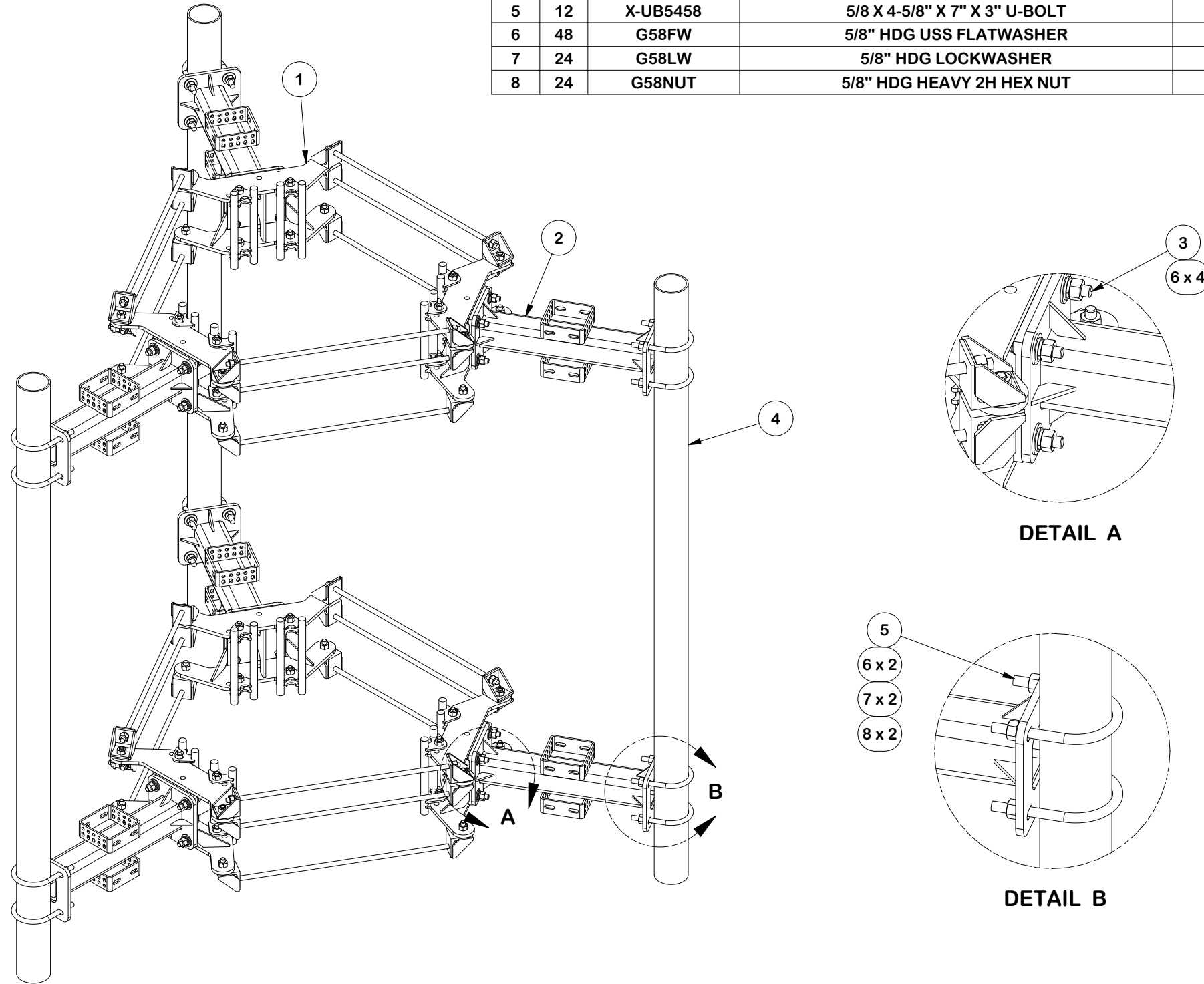


PARTS LIST						
ITEM	QTY	PART NO.	PART DESCRIPTION	LENGTH	UNIT WT.	NET WT.
1	2	FLX3-SD	FLEXIBLE RING MOUNT 3-SIDED ASSEMBLY		280.11	560.23
2	6	X-WWM02-HD	2' HEAVY DUTY STAND-OFF ARM / WALL MOUNT	24 in	60.24	361.42
3	6	SV197-HDWE	STANDOFF TO COLLAR ATTACHMENT HARDWARE		2.18	13.10
4	3	P496	4-1/2" X 96" SCH. 40 GALVANIZED PIPE	96 in	91.60	274.80
5	12	X-UB5458	5/8 X 4-5/8" X 7" X 3" U-BOLT	7 in	1.63	19.53
6	48	G58FW	5/8" HDG USS FLATWASHER	1/8 in	0.07	3.38
7	24	G58LW	5/8" HDG LOCKWASHER		0.03	0.63
8	24	G58NUT	5/8" HDG HEAVY 2H HEX NUT		0.13	3.12
TOTAL WT. #						1236.21



FINISH:
HOT DIP GALVANIZED.

TOLERANCE NOTES

TOLERANCES ON DIMENSIONS, UNLESS OTHERWISE NOTED ARE:
 SAWED, SHEARED AND GAS CUT EDGES ($\pm 0.030"$)
 DRILLED AND GAS CUT HOLES ($\pm 0.030"$) - NO CONING OF HOLES
 LASER CUT EDGES AND HOLES ($\pm 0.010"$) - NO CONING OF HOLES
 BENDS AND ANGLES ARE $\pm 1/2$ DEGREE
 ALL OTHER MACHINING ($\pm 0.030"$)
 ALL OTHER ASSEMBLY ($\pm 0.060"$)

PATENT INFORMATION: WWW.SITEPRO1.COM/PATENTS

PROPRIETARY NOTE:
 THE DATA AND TECHNIQUES CONTAINED IN THIS DRAWING ARE PROPRIETARY INFORMATION OF VALMONT INDUSTRIES AND CONSIDERED A TRADE SECRET. ANY USE OR DISCLOSURE WITHOUT THE CONSENT OF VALMONT INDUSTRIES IS STRICTLY PROHIBITED.

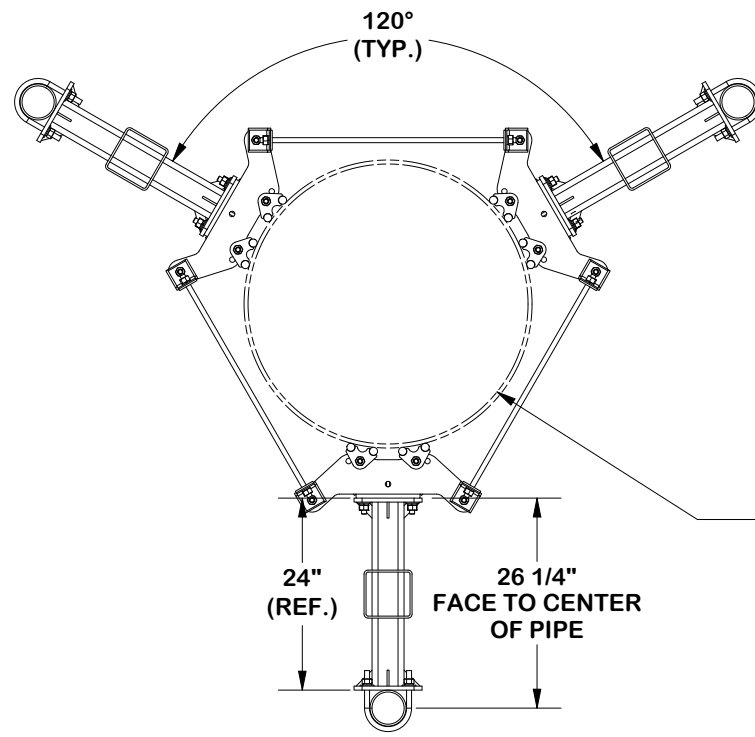
DESCRIPTION
**MONOPOLE 3 SECTOR
 FLEX FRAME ATTACHMENT ASSEMBLY
 W/ 24" STANDOFF**

CPD NO. SP1	DRAWN BY SDR 8/26/2025	ENG. APPROVAL
CLASS 87	SUB 02	DRAWING USAGE CUSTOMER
CHECKED BY		



Engineering Support Team:
 sp1engineering@valmont.com

PART NO. MSFAA-24-FLX3
DWG. NO. MSFAA-24-FLX3

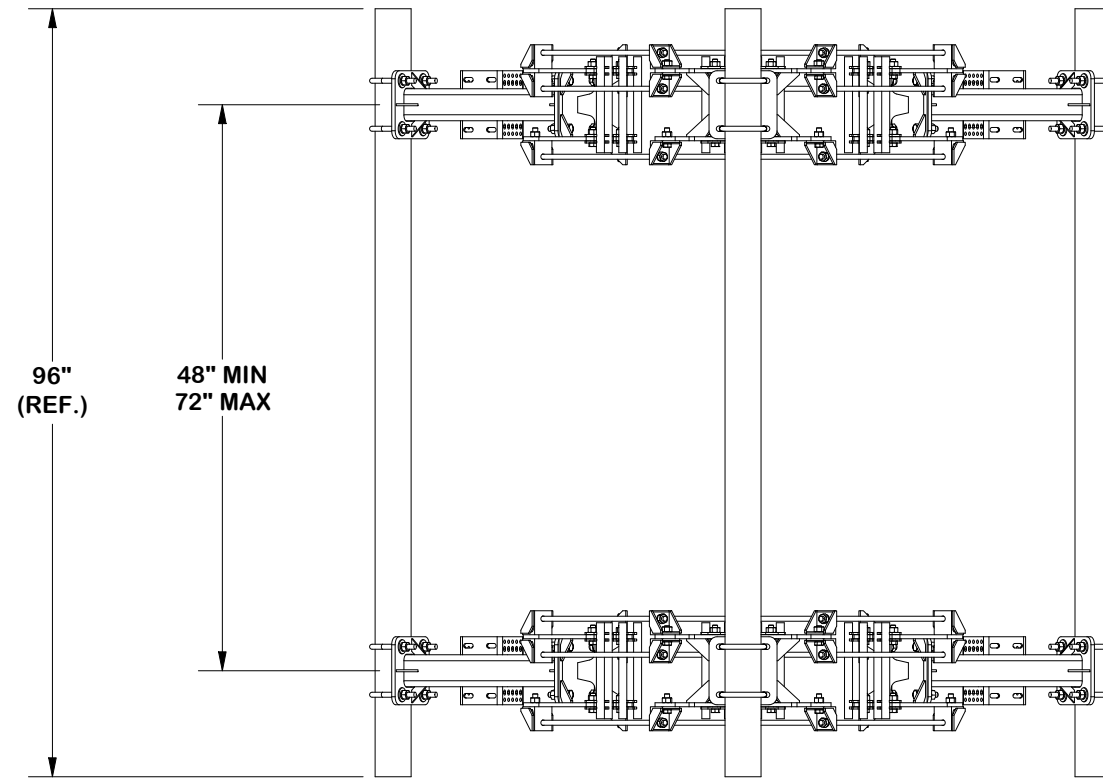


14" TO 36" DIAMETER
MONOPOLE (REF.)

OPTIONAL LARGE POLE
ADAPTER AVAILABLE:
PART# FLX-ADK (NOT SHOWN)
(ORDER SEPARATELY)

24"
(REF.)

26 1/4"
FACE TO CENTER
OF PIPE



96"
(REF.)

48" MIN
72" MAX

TOLERANCE NOTES

TOLERANCES ON DIMENSIONS, UNLESS OTHERWISE NOTED ARE:
 SAWED, SHEARED AND GAS CUT EDGES ($\pm 0.030"$)
 DRILLED AND GAS CUT HOLES ($\pm 0.030"$) - NO CONING OF HOLES
 LASER CUT EDGES AND HOLES ($\pm 0.010"$) - NO CONING OF HOLES
 BENDS AND ANGLES ARE $\pm 1/2$ DEGREE
 ALL OTHER MACHINING ($\pm 0.030"$)
 ALL OTHER ASSEMBLY ($\pm 0.060"$)

PATENT INFORMATION: WWW.SITEPRO1.COM/PATENTS

PROPRIETARY NOTE:
 THE DATA AND TECHNIQUES CONTAINED IN THIS DRAWING ARE PROPRIETARY INFORMATION OF VALMONT INDUSTRIES AND CONSIDERED A TRADE SECRET. ANY USE OR DISCLOSURE WITHOUT THE CONSENT OF VALMONT INDUSTRIES IS STRICTLY PROHIBITED.

DESCRIPTION
**MONOPOLE 3 SECTOR
 FLEX FRAME ATTACHMENT ASSEMBLY
 W/ 24" STANDOFF**

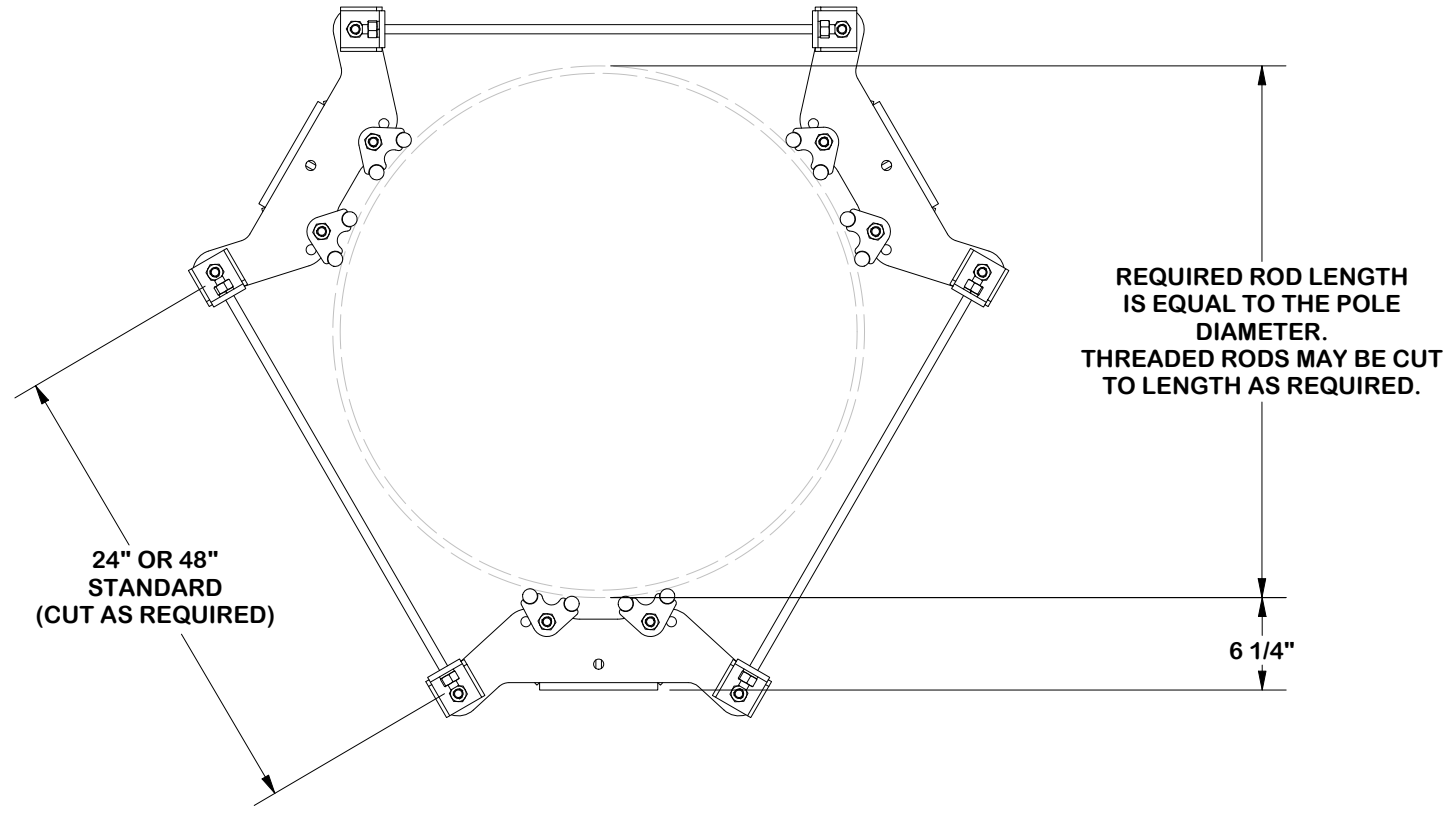
CPD NO. SP1	DRAWN BY SDR 8/26/2025	ENG. APPROVAL
CLASS 87	SUB 02	DRAWING USAGE CUSTOMER
CHECKED BY		



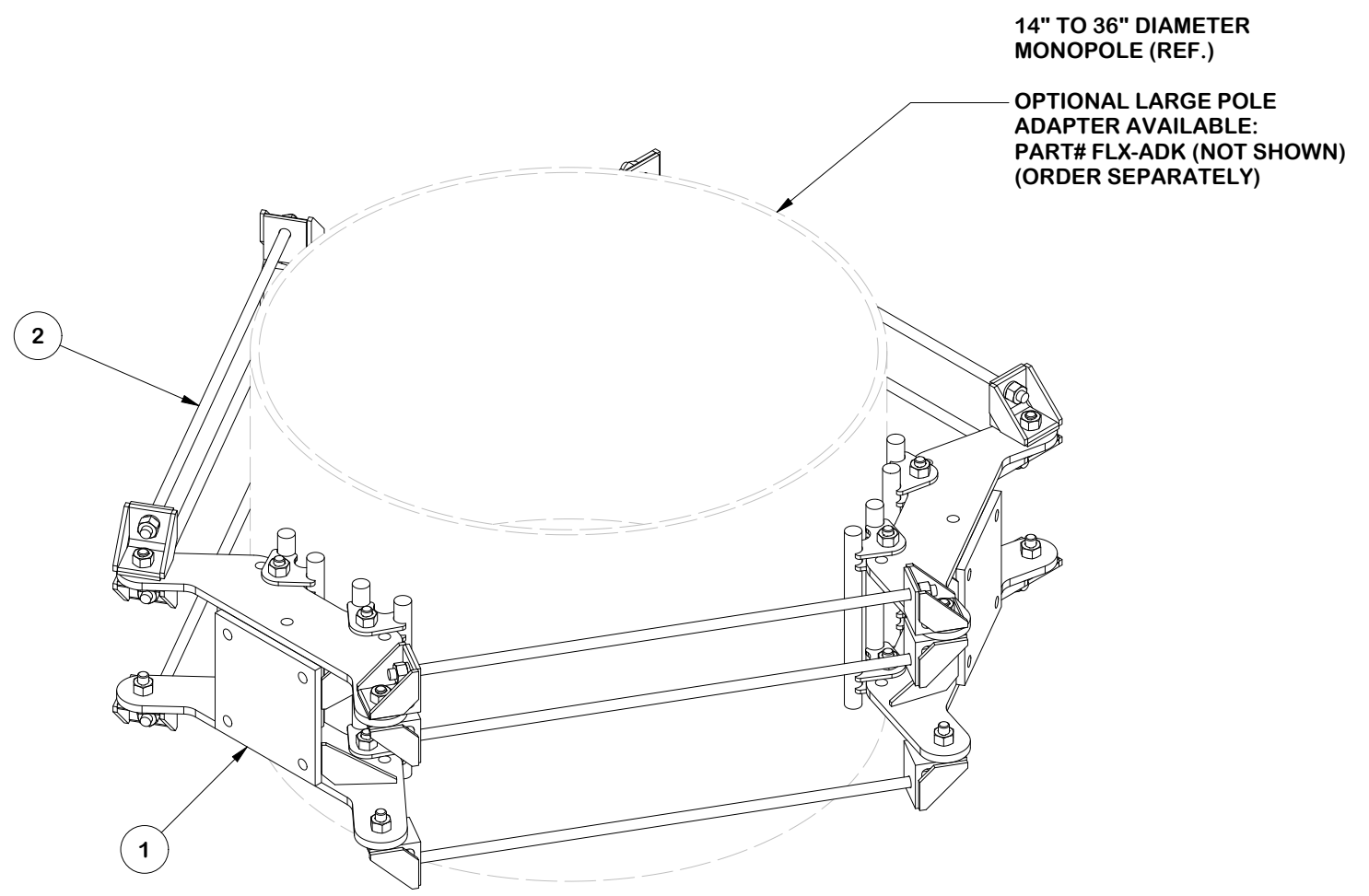
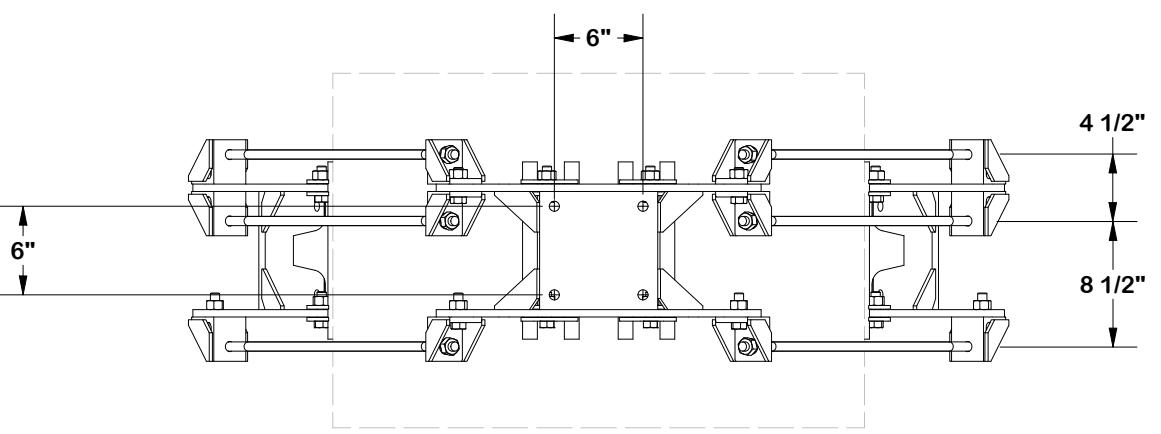
Engineering
Support Team:
sp1engineering@valmont.com

PART NO. MSFAA-24-FLX3
DWG. NO. MSFAA-24-FLX3

PARTS LIST						UNIT WT.	NET WT.
1	3	FLX-SDSS	P-FLX-SDHW	FLEXIBLE RING MOUNT SINGLE SECTOR ASSEMBLY		72.51	217.54
2	1	LWRM-HDWE	P-LWRM-HDWE	HARDWARE KIT FOR 3-SIDED COLLAR		62.57	62.57
TOTAL WT. #							280.11



- NOTES:**
1. LOCKNUTS CANNOT BE LOOSEND.
 2. TIGHTEN LOCKNUTS AFTER DESIRED POSITION (SEE PAGE 3).
 3. FITS 6" X 6" HOLE PATTERN



FINISH:
HOT DIP GALVANIZED.

TOLERANCE NOTES

TOLERANCES ON DIMENSIONS, UNLESS OTHERWISE NOTED ARE:
 SAWED, SHEARED AND GAS CUT EDGES ($\pm 0.030"$)
 DRILLED AND GAS CUT HOLES ($\pm 0.030"$) - NO CONING OF HOLES
 LASER CUT EDGES AND HOLES ($\pm 0.010"$) - NO CONING OF HOLES
 BENDS AND ANGLES ARE $\pm 1/2$ DEGREE
 ALL OTHER MACHINING ($\pm 0.030"$)
 ALL OTHER ASSEMBLY ($\pm 0.060"$)

PATENT INFORMATION: WWW.SITEPRO1.COM/PATENTS

DESCRIPTION
**MONOPOLE 3 SECTOR
 FLEX FRAME ATTACHMENT ASSEMBLY
 W/ 24" STANDOFF**

CPD NO. **SP1** DRAWN BY **SDR** 8/26/2025 ENG. APPROVAL

CLASS **87** SUB **02** DRAWING USAGE **CUSTOMER** CHECKED BY

Engineering Support Team:
sp1engineering@valmont.com

A **valmont** COMPANY

PART NO. **FLX3-SD**

REV	DESCRIPTION OF REVISIONS	CPD	BY	DATE
C	UPDATED NOTES AND ADDED CABLE GUIDE REF	SP1	ADB	12/10/2025
B	ADDED NOTE TO PAGE 1	NCS	ADB	3/26/2025
A	CHANGED KITS	NCS	NSP	10/3/2024

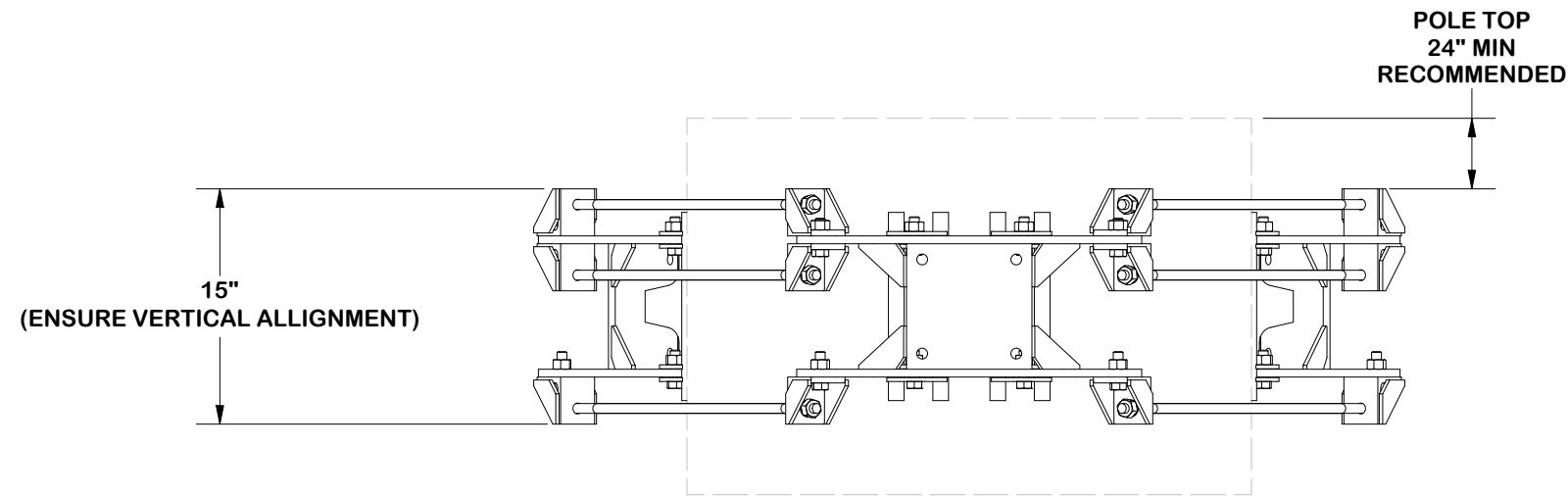
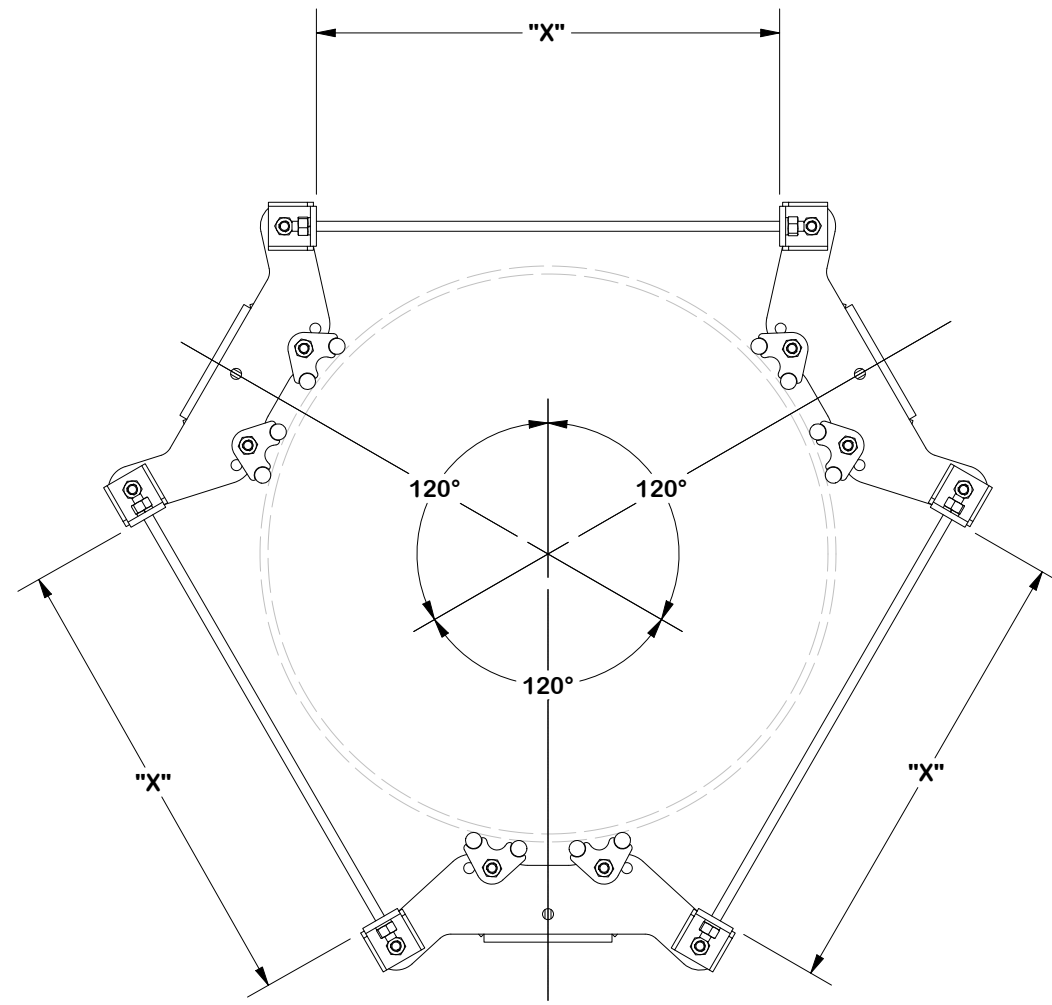
REVISION HISTORY

PROPRIETARY NOTE:
 THE DATA AND TECHNIQUES CONTAINED IN THIS DRAWING ARE PROPRIETARY INFORMATION OF VALMONT INDUSTRIES AND CONSIDERED A TRADE SECRET. ANY USE OR DISCLOSURE WITHOUT THE CONSENT OF VALMONT INDUSTRIES IS STRICTLY PROHIBITED.

DWG. NO. **MSFAA-24-FLX3**

NOTE:
 ENSURE EQUAL DISTANCE
 BETWEEN BRACKETS "X"
 AND AT 120° APART FOR PLATFORMS.

DEVIATION IS ACCEPTABLE
 WITH EOR APPROVAL.



TOLERANCE NOTES

TOLERANCES ON DIMENSIONS, UNLESS OTHERWISE NOTED ARE:
 SAWED, SHEARED AND GAS CUT EDGES ($\pm 0.030"$)
 DRILLED AND GAS CUT HOLES ($\pm 0.030"$) - NO CONING OF HOLES
 LASER CUT EDGES AND HOLES ($\pm 0.010"$) - NO CONING OF HOLES
 BENDS AND ANGLES ARE $\pm 1/2$ DEGREE
 ALL OTHER MACHINING ($\pm 0.030"$)
 ALL OTHER ASSEMBLY ($\pm 0.060"$)

PATENT INFORMATION: WWW.SITEPRO1.COM/PATENTS

PROPRIETARY NOTE:
 THE DATA AND TECHNIQUES CONTAINED IN THIS DRAWING ARE PROPRIETARY INFORMATION OF VALMONT INDUSTRIES AND CONSIDERED A TRADE SECRET. ANY USE OR DISCLOSURE WITHOUT THE CONSENT OF VALMONT INDUSTRIES IS STRICTLY PROHIBITED.

DESCRIPTION
**MONOPOLE 3 SECTOR
 FLEX FRAME ATTACHMENT ASSEMBLY
 W/ 24" STANDOFF**

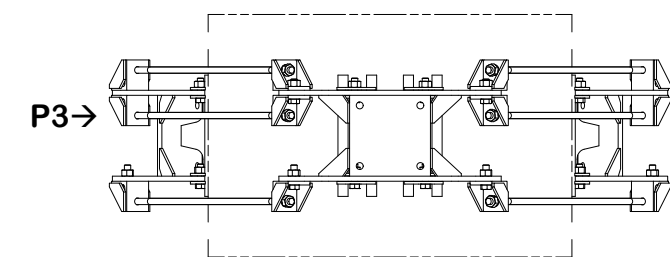
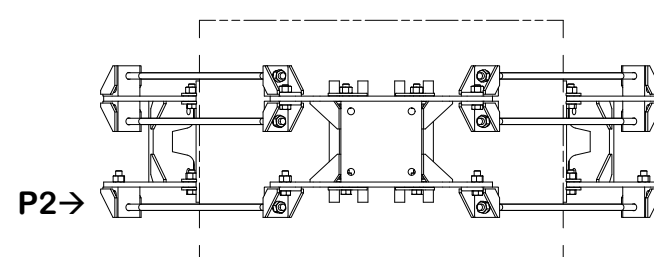
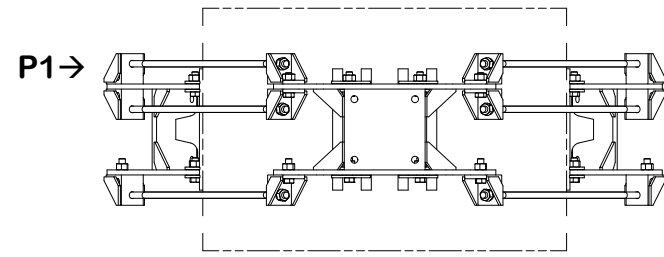
CPD NO. SP1	DRAWN BY SDR 8/26/2025	ENG. APPROVAL
CLASS 87	SUB 02	DRAWING USAGE CUSTOMER
CHECKED BY		



Engineering Support Team:
 sp1engineering@valmont.com

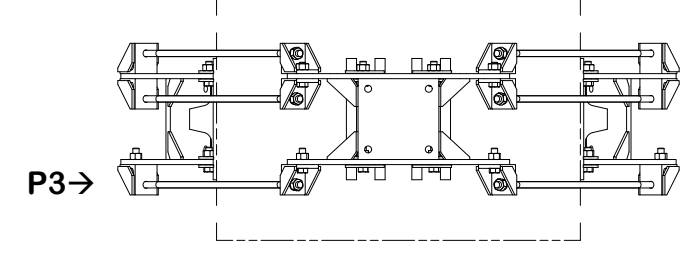
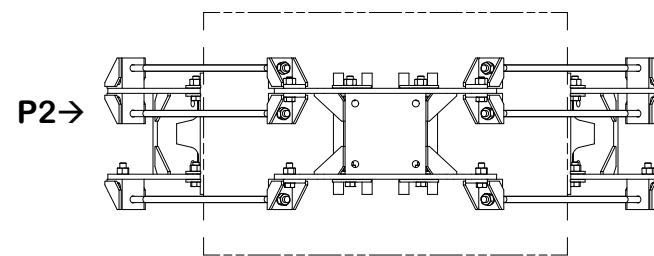
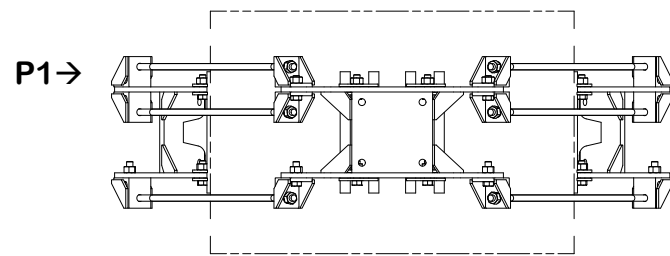
PART NO. FLX3-SD	PAGE 4 OF 9
DWG. NO. MSFAA-24-FLX3	

INSTALL ORDER

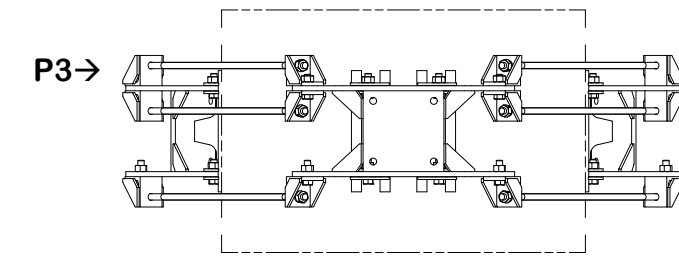
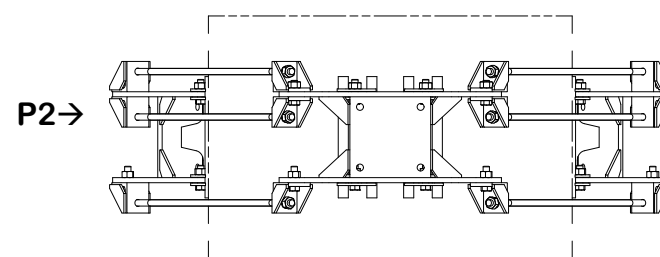
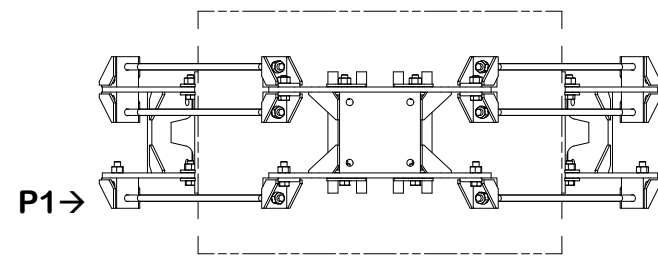


INITIAL TIGHTENING

NOTE:
DURING INITIAL TIGHTENING, P1 AND P2 MUST BE TIGHTENED FIRST TO PULL THE UPPER CLAMP PLATES INTO FULL CONTACT WITH THE POLE. ENSURE THE CLAMP MAKES TOP CONTACT BEFORE PROCEEDING WITH ANY ADDITIONAL TIGHTENING.



FINAL TIGHTENING



TOLERANCE NOTES

TOLERANCES ON DIMENSIONS, UNLESS OTHERWISE NOTED ARE:
 SAWED, SHEARED AND GAS CUT EDGES ($\pm 0.030"$)
 DRILLED AND GAS CUT HOLES ($\pm 0.030"$) - NO CONING OF HOLES
 LASER CUT EDGES AND HOLES ($\pm 0.010"$) - NO CONING OF HOLES
 BENDS AND ANGLES ARE $\pm 1/2$ DEGREE
 ALL OTHER MACHINING ($\pm 0.030"$)
 ALL OTHER ASSEMBLY ($\pm 0.060"$)

PATENT INFORMATION: WWW.SITEPRO1.COM/PATENTS

PROPRIETARY NOTE:
 THE DATA AND TECHNIQUES CONTAINED IN THIS DRAWING ARE PROPRIETARY INFORMATION OF VALMONT INDUSTRIES AND CONSIDERED A TRADE SECRET. ANY USE OR DISCLOSURE WITHOUT THE CONSENT OF VALMONT INDUSTRIES IS STRICTLY PROHIBITED.

DESCRIPTION
**MONOPOLE 3 SECTOR
 FLEX FRAME ATTACHMENT ASSEMBLY
 W/ 24" STANDOFF**

CPD NO. SP1	DRAWN BY SDR 8/26/2025	ENG. APPROVAL
CLASS 87	SUB 02	DRAWING USAGE CUSTOMER
CHECKED BY		



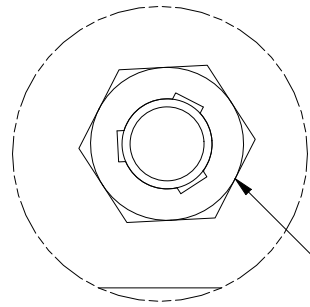
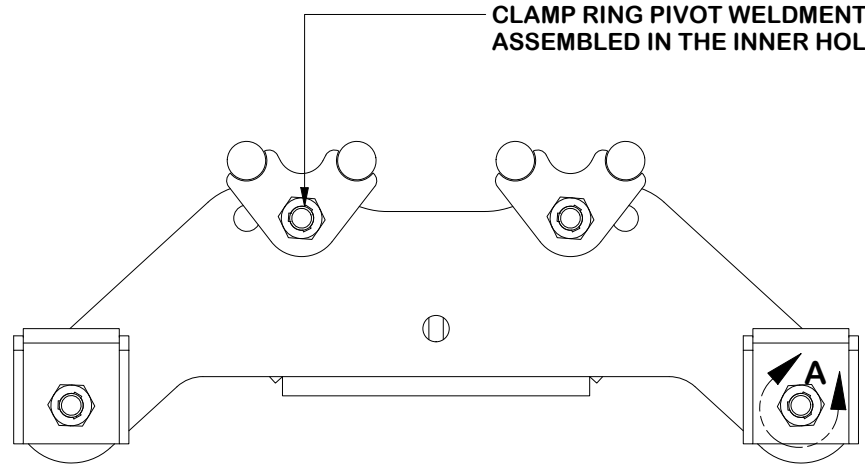
Engineering Support Team:
sp1engineering@valmont.com

PART NO. FLX3-SD
DWG. NO. MSFAA-24-FLX3

PARTS LIST

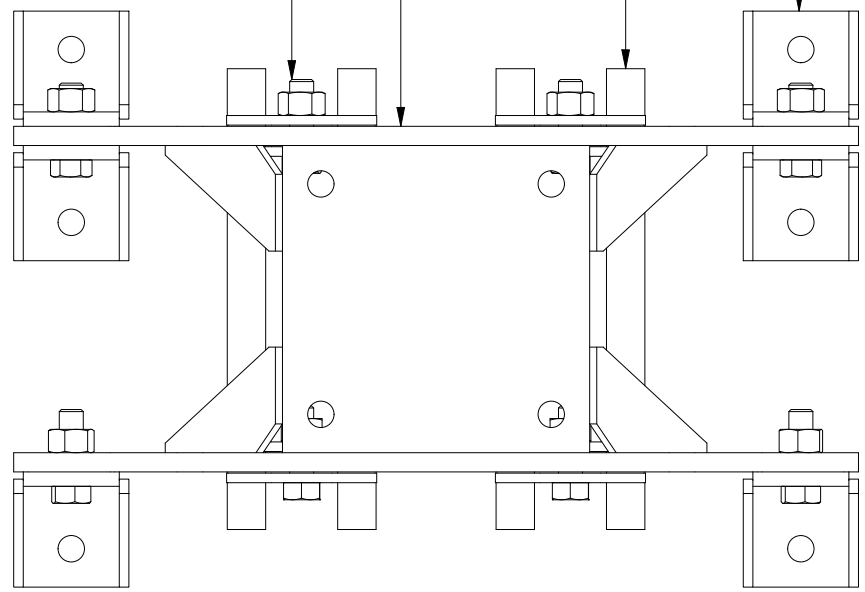
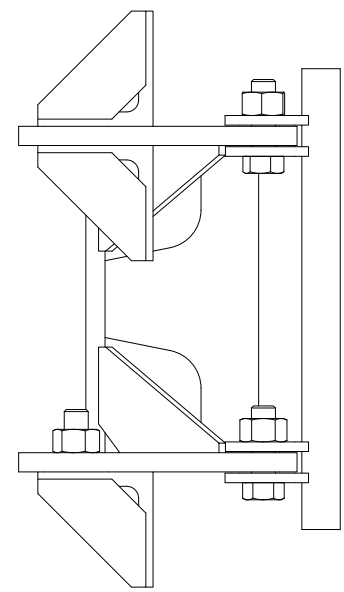
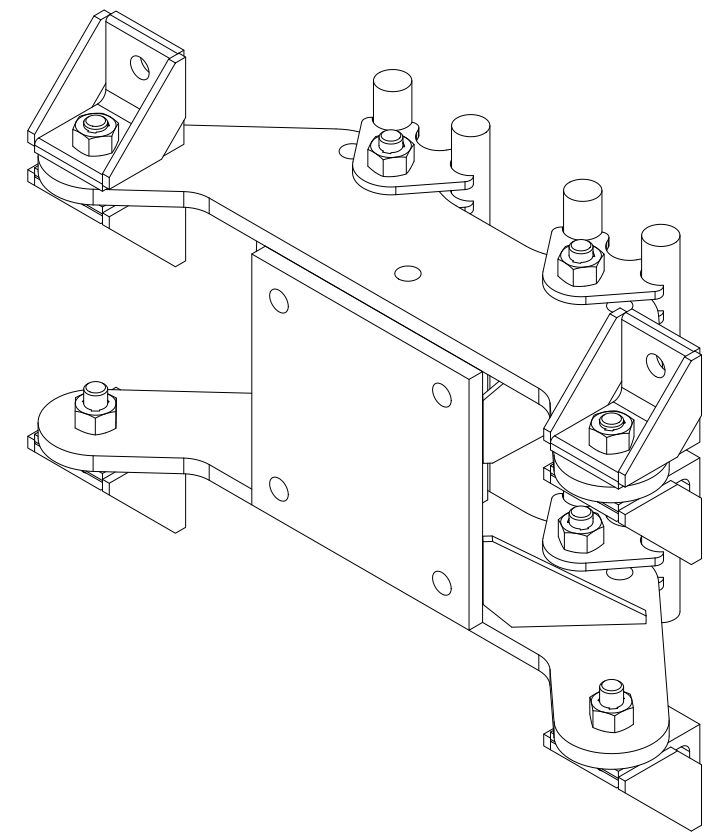
ITEM	QTY	PART NO.	PART DESCRIPTION	UNIT WT.	NET WT.
1	1	X-CR-SDW	FLEXIBLE RING MOUNT	42.23	42.23
2	2	X-CR-PW12	12" CLAMP RING PIVOT WELDMENT	6.93	13.85
3	6	X-CR-AGW	ANGLE ON WELDMENT	2.20	13.18
4	8	G5802	5/8" x 2" HDG HEX BOLT GR5	0.27	2.16
5	8	G58TRI-LNUT	5/8" HDG HEAVY 2H TRI-LOCK NUT	0.14	1.10
TOTAL WT. #				72.51	

NOTE:
CLAMP RING PIVOT WELDMENT SHOULD BE ASSEMBLED IN THE INNER HOLE OF WELDMENT



DETAIL A

NOTE:
FOR TRI-LOCKNUT INSTALLATION, ENSURE THE GROOVED SIDE IS ORIENTED AWAY FROM BOLT HEAD



FINISH:
HOT DIP GALVANIZED.

TOLERANCE NOTES
 TOLERANCES ON DIMENSIONS, UNLESS OTHERWISE NOTED ARE:
 SAWED, SHEARED AND GAS CUT EDGES ($\pm 0.030"$)
 DRILLED AND GAS CUT HOLES ($\pm 0.030"$) - NO CONING OF HOLES
 LASER CUT EDGES AND HOLES ($\pm 0.010"$) - NO CONING OF HOLES
 BENDS AND ANGLES ARE $\pm 1/2$ DEGREE
 ALL OTHER MACHINING ($\pm 0.030"$)
 ALL OTHER ASSEMBLY ($\pm 0.060"$)

PATENT INFORMATION: WWW.SITEPRO1.COM/PATENTS

PROPRIETARY NOTE:
THE DATA AND TECHNIQUES CONTAINED IN THIS DRAWING ARE PROPRIETARY INFORMATION OF VALMONT INDUSTRIES AND CONSIDERED A TRADE SECRET. ANY USE OR DISCLOSURE WITHOUT THE CONSENT OF VALMONT INDUSTRIES IS STRICTLY PROHIBITED.

DESCRIPTION
**MONOPOLE 3 SECTOR
 FLEX FRAME ATTACHMENT ASSEMBLY
 W/ 24" STANDOFF**

CPD NO. SP1	DRAWN BY SDR 8/26/2025	ENG. APPROVAL
CLASS 87	SUB 02	DRAWING USAGE CUSTOMER
CHECKED BY		

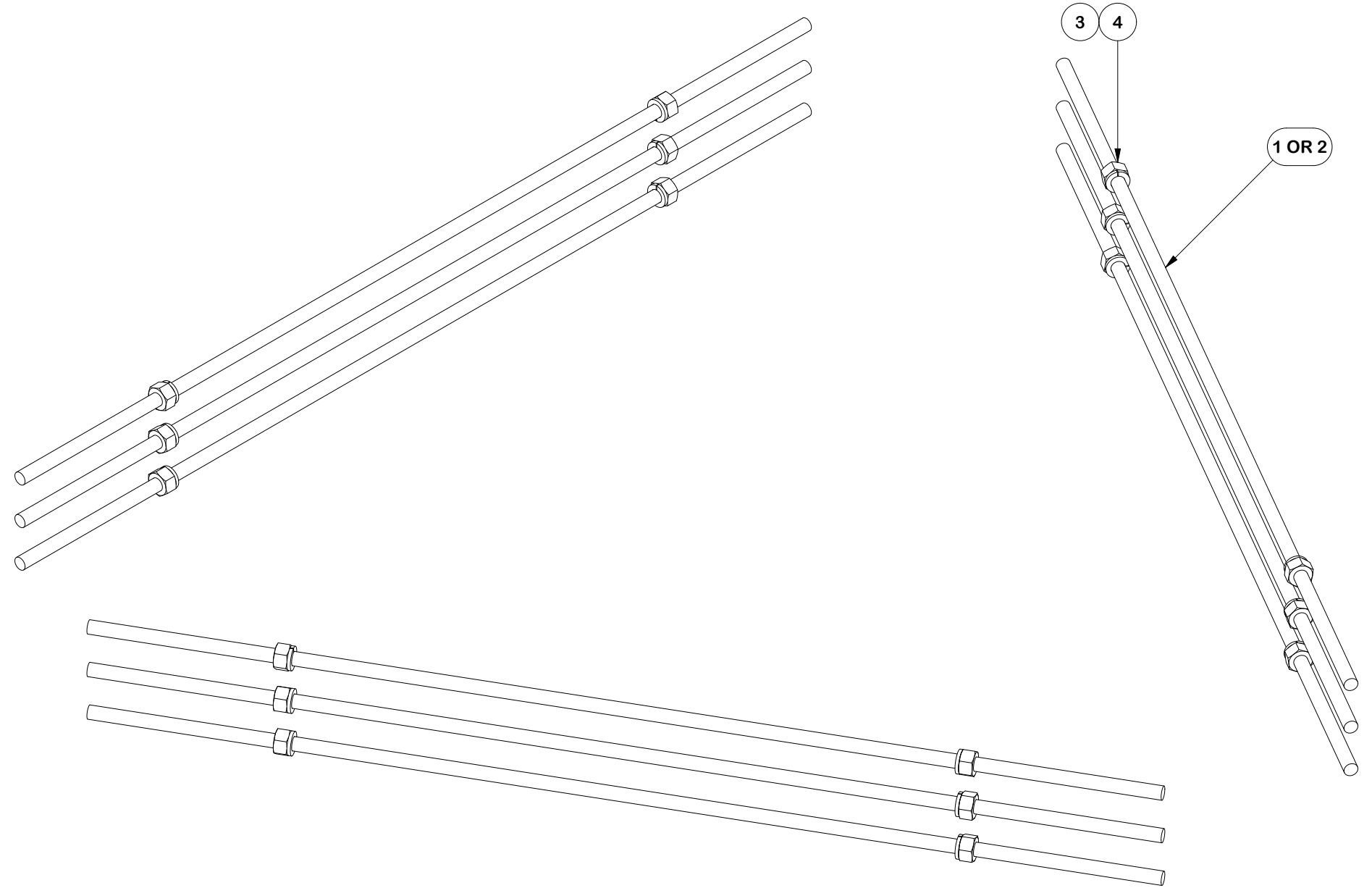


A valmont COMPANY

Engineering Support Team:
sp1engineering@valmont.com

PART NO. FLX-SDSS	6 OF 9 PAGE
DWG. NO. MSFAA-24-FLX3	

PARTS LIST					
ITEM	QTY	PART NO.	PART DESCRIPTION	UNIT WT.	NET WT.
1	9	G58R-48	5/8" X 48" THREADED ROD (HDG.)	4.43	39.84
2	9	G58R-24	5/8" X 24" THREADED ROD (HDG.)	2.21	19.92
3	18	G58LW	5/8" HDG LOCKWASHER	0.03	0.47
4	18	G58NUT	5/8" HDG HEAVY 2H HEX NUT	0.13	2.34
TOTAL WT. #				62.57	



TOLERANCE NOTES

TOLERANCES ON DIMENSIONS, UNLESS OTHERWISE NOTED ARE:
 SAWED, SHEARED AND GAS CUT EDGES ($\pm 0.030"$)
 DRILLED AND GAS CUT HOLES ($\pm 0.030"$) - NO CONING OF HOLES
 LASER CUT EDGES AND HOLES ($\pm 0.010"$) - NO CONING OF HOLES
 BENDS AND ANGLES ARE $\pm 1/2$ DEGREE
 ALL OTHER MACHINING ($\pm 0.030"$)
 ALL OTHER ASSEMBLY ($\pm 0.060"$)

PATENT INFORMATION: WWW.SITEPRO1.COM/PATENTS

PROPRIETARY NOTE:
 THE DATA AND TECHNIQUES CONTAINED IN THIS DRAWING ARE PROPRIETARY INFORMATION OF VALMONT INDUSTRIES AND CONSIDERED A TRADE SECRET. ANY USE OR DISCLOSURE WITHOUT THE CONSENT OF VALMONT INDUSTRIES IS STRICTLY PROHIBITED.

DESCRIPTION
**MONOPOLE 3 SECTOR
 FLEX FRAME ATTACHMENT ASSEMBLY
 W/ 24" STANDOFF**

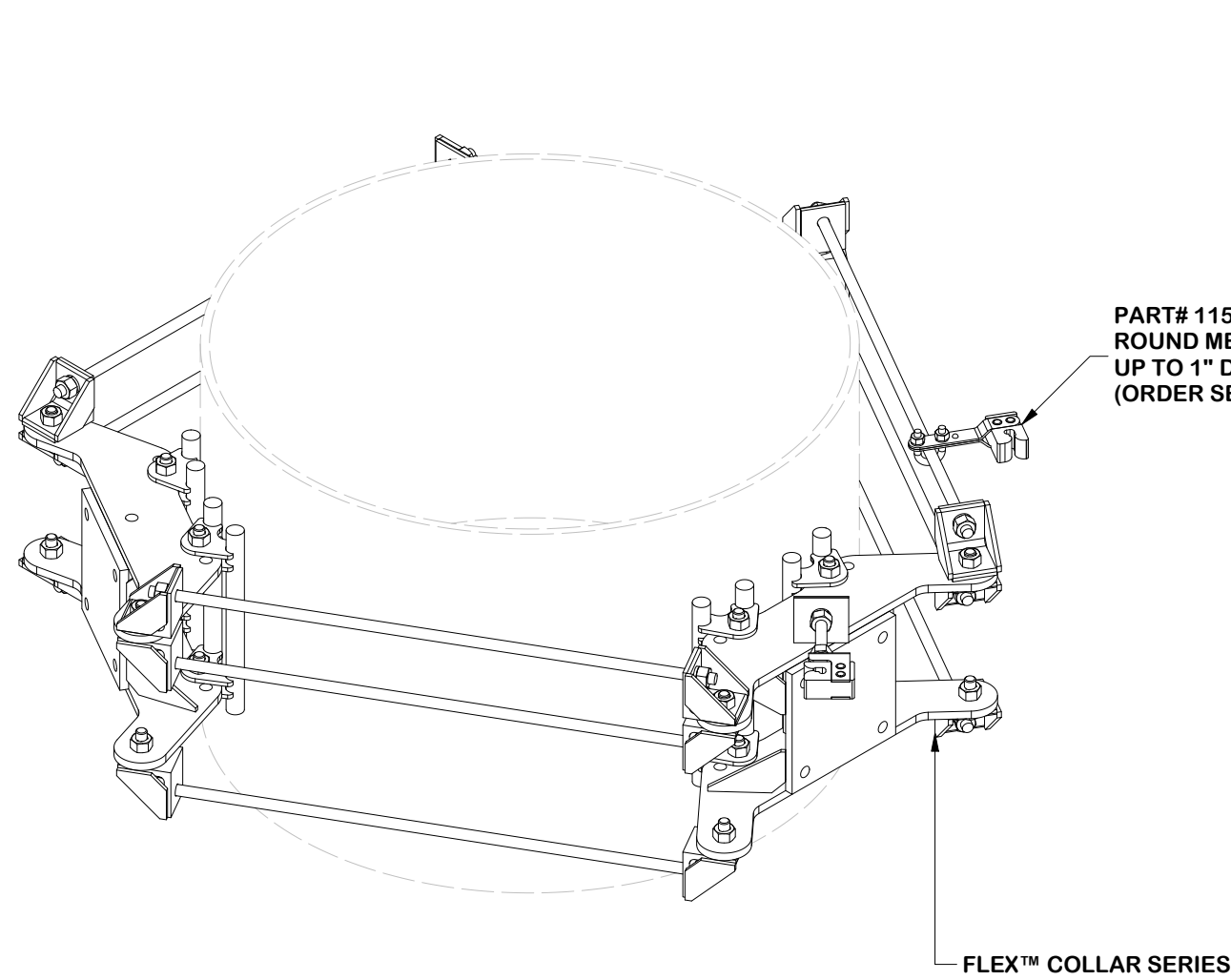


Engineering Support Team:
 sp1engineering@valmont.com

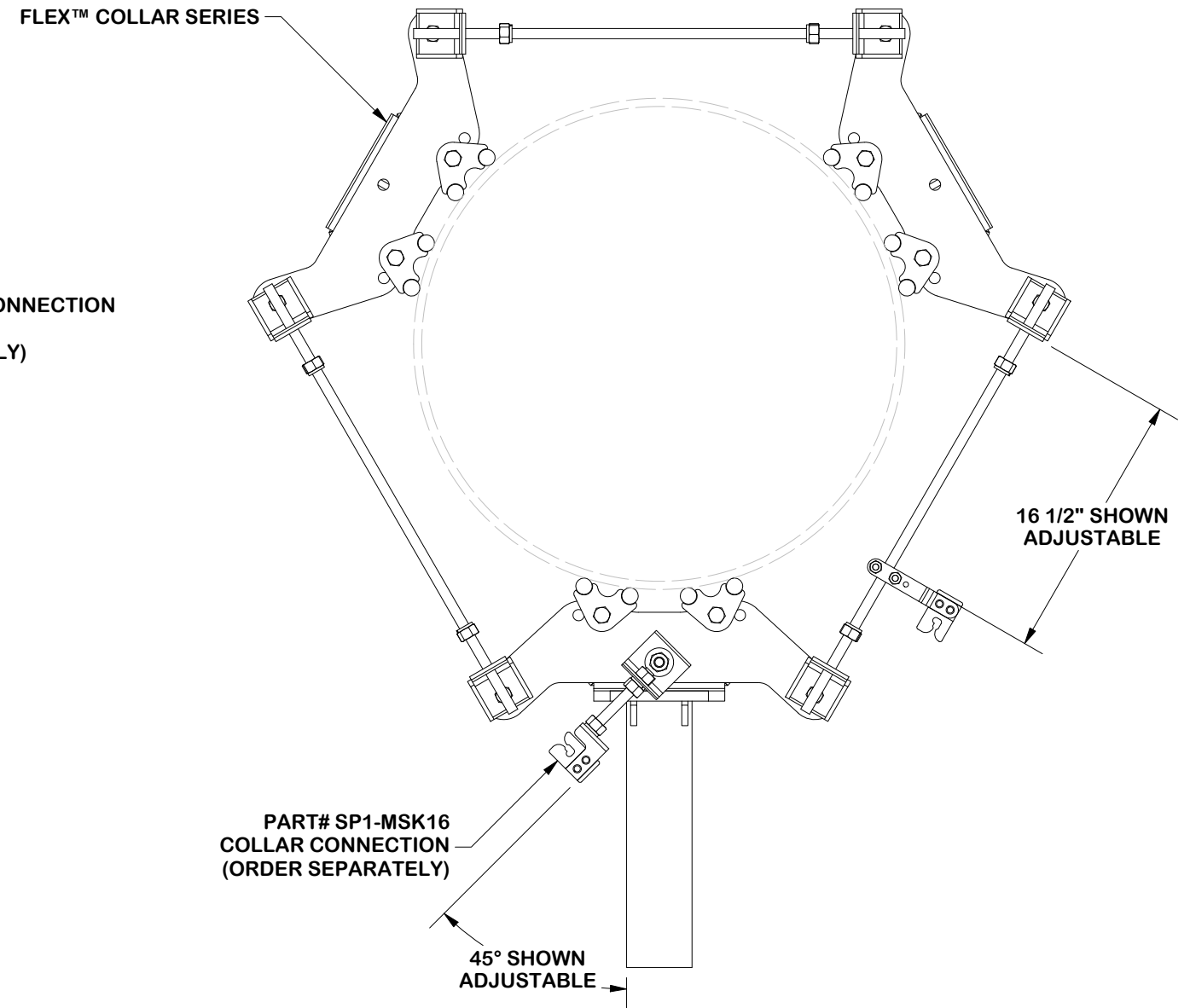
CPD NO. SP1	DRAWN BY SDR 8/26/2025	ENG. APPROVAL
CLASS 87	SUB 02	DRAWING USAGE CUSTOMER

PART NO. LWRM-HDWE	PAGE 7 OF 9
DWG. NO. MSFAA-24-FLX3	

CABLE GUIDE REFERENCE



ISO VIEW



TOP VIEW

TOLERANCE NOTES

TOLERANCES ON DIMENSIONS, UNLESS OTHERWISE NOTED ARE:
 SAWED, SHEARED AND GAS CUT EDGES ($\pm 0.030"$)
 DRILLED AND GAS CUT HOLES ($\pm 0.030"$) - NO CONING OF HOLES
 LASER CUT EDGES AND HOLES ($\pm 0.010"$) - NO CONING OF HOLES
 BENDS AND ANGLES ARE $\pm 1/2$ DEGREE
 ALL OTHER MACHINING ($\pm 0.030"$)
 ALL OTHER ASSEMBLY ($\pm 0.060"$)

PATENT INFORMATION: WWW.SITEPRO1.COM/PATENTS

PROPRIETARY NOTE:
 THE DATA AND TECHNIQUES CONTAINED IN THIS DRAWING ARE PROPRIETARY INFORMATION OF VALMONT INDUSTRIES AND CONSIDERED A TRADE SECRET. ANY USE OR DISCLOSURE WITHOUT THE CONSENT OF VALMONT INDUSTRIES IS STRICTLY PROHIBITED.

DESCRIPTION
**MONOPOLE 3 SECTOR
 FLEX FRAME ATTACHMENT ASSEMBLY
 W/ 24" STANDOFF**

CPD NO. SP1	DRAWN BY SDR 8/26/2025	ENG. APPROVAL
CLASS 87	SUB 02	DRAWING USAGE CUSTOMER
CHECKED BY		

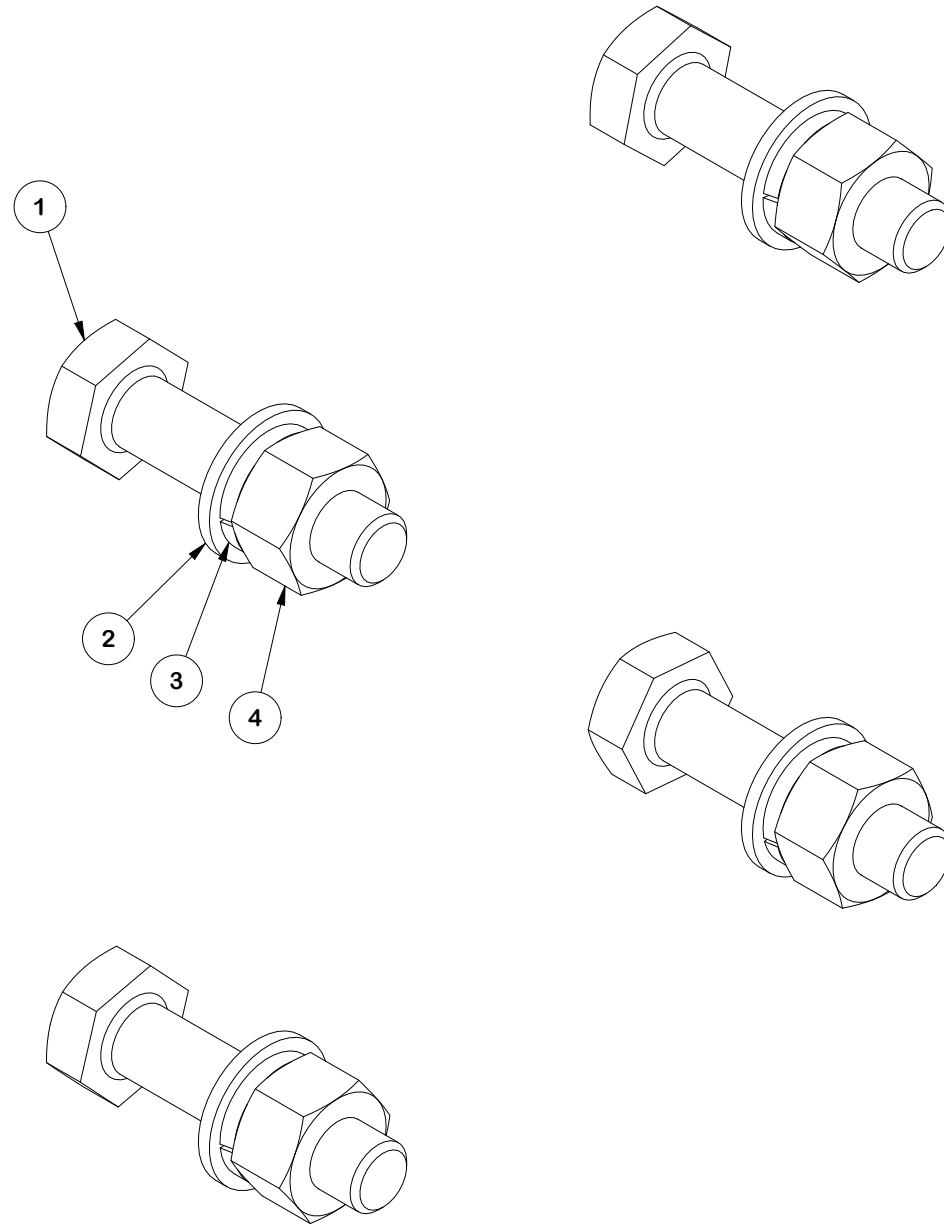


A valmont COMPANY

Engineering
 Support Team:
 sp1engineering@valmont.com

PART NO. CABLE GUIDE REF
DWG. NO. MSFAA-24-FLX3

PARTS LIST						
ITEM	QTY	PART NO.	PART DESCRIPTION	LENGTH	UNIT WT.	NET WT.
1	4	A58234	5/8" x 2-3/4" HDG A325 HEX BOLT	2 3/4 in	0.36	1.42
2	4	A58FW	5/8" HDG A325 FLATWASHER		0.03	0.14
3	4	G58LW	5/8" HDG LOCKWASHER		0.03	0.10
4	4	A58NUT	5/8" HDG A325 HEX NUT		0.13	0.52
					TOTAL WT. #	2.18



FINISH:
HOT DIP GALVANIZED.

TOLERANCE NOTES
 TOLERANCES ON DIMENSIONS, UNLESS OTHERWISE NOTED ARE:
 SAWED, SHEARED AND GAS CUT EDGES ($\pm 0.030"$)
 DRILLED AND GAS CUT HOLES ($\pm 0.030"$) - NO CONING OF HOLES
 LASER CUT EDGES AND HOLES ($\pm 0.010"$) - NO CONING OF HOLES
 BENDS AND ANGLES ARE $\pm 1/2$ DEGREE
 ALL OTHER MACHINING ($\pm 0.030"$)
 ALL OTHER ASSEMBLY ($\pm 0.060"$)

PATENT INFORMATION: WWW.SITEPRO1.COM/PATENTS

PROPRIETARY NOTE:
 THE DATA AND TECHNIQUES CONTAINED IN THIS DRAWING ARE PROPRIETARY INFORMATION OF VALMONT INDUSTRIES AND CONSIDERED A TRADE SECRET. ANY USE OR DISCLOSURE WITHOUT THE CONSENT OF VALMONT INDUSTRIES IS STRICTLY PROHIBITED.

DESCRIPTION
**MONOPOLE 3 SECTOR
 FLEX FRAME ATTACHMENT ASSEMBLY
 W/ 24" STANDOFF**

CPD NO. SP1	DRAWN BY SDR 8/26/2025	ENG. APPROVAL
-----------------------	----------------------------------	---------------

CLASS 87	SUB 02	DRAWING USAGE CUSTOMER	CHECKED BY
--------------------	------------------	----------------------------------	------------

SITE PRO 1
 A valmont COMPANY
 Engineering Support Team:
 sp1engineering@valmont.com

PART NO.
SV197-HDWE

DWG. NO.
MSFAA-24-FLX3